

**CANTHUS – Ø 360**

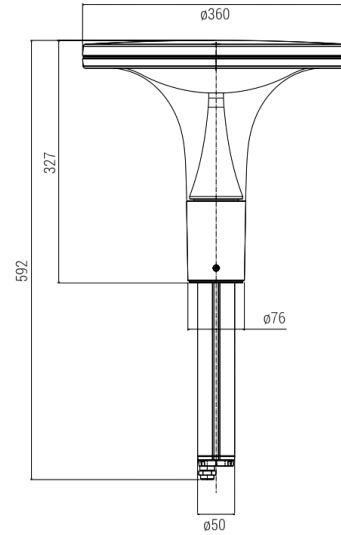
datasheet



CODE NO. **5523**  AN = Anthracite

**27K (2700K) / 3K / 4K**

Ø 360 mm

H 327 mm



LAMP	LED
NOMINAL LUMEN	4400
REAL LUMEN OUTPUT	2420
WATTAGE	29W
VOLTAGE	220-240V 50/60Hz
IP	IP 65
IK	IK10 (20 joules)
CLASS	 Classe II
CERTIFICATION	
CONFORMITY	EN 60598-1 +2-1
LED ENERGY CLASS	D

Outdoor lighting fixture for pole installation

Structure in low copper content die-cast aluminum

UV-resistant polycarbonate diffuser and opalized lenticular screen for maximum visual comfort

Light source: specially designed dedicated CRI 80 power LEDs

Complete with wiring box, the lighting fixture can be installed on Goccia Illuminazione Ø 76 mm dedicated steel poles (code 3504-3505) or on standard Ø 60 mm aluminium poles

Easier cabling to cover panel thanks to the 2x1 cable, 2,30 m long; further pull down M16 entry for additional cabling

Optional surge protection device (SPD) to be ordered separately (codes 1965-1966)

Double varnished finish after pickling, chromic passivation (trivalent chromium), epoxy primer and polyester powder coating

ON REQUEST:

Dimmable version

Finishing colour AG - aluminium grey