



TECHNICAL DATA

Application	parks, pedestrians, bicycle routes
Assembly	pole top mounted or on extension arms with \varnothing 60 x 50 mm ending
Ingress protection	IP 66
Material	cap – formed anodised aluminium sheet inox / painted RAL 9005 black (upper part), RAL 9003 white (lower part) diffuser – transparent (PMMA) base – high-pressure die-casted aluminium alloy, painted RAL 9006 gray / RAL 9005 black
Operating temperature range	from -40°C to +40°C
Expected useful lifetime	L90B10 - 100 000 h
CRI	>70
Input voltage frequency	50/60Hz
Power factor	\geq 0.9
Number of LED	74

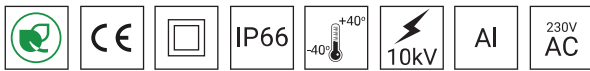


TABLE OF TYPES

Code	Symbol	LED power	Luminaire power consumption	LED forward current	Colour temperature (CCT)	LEDs luminous flux ¹	Luminaire luminous flux ¹	Luminous efficacy ¹	Unit volume	Net weight
213563/1/... ² /C45	AURIS LED inox	18 W	20 W	95 mA	2700 K	2800 lm	1750 lm	88 lm/W	0.06 m ³	5 kg
213563/3/... ² /C45	AURIS LED inox	18 W	20 W	95 mA	3500 K	3000 lm	1850 lm	93 lm/W	0.06 m ³	5 kg
213563/4/... ² /C45	AURIS LED inox	18 W	20 W	95 mA	4000 K	3000 lm	1850 lm	93 lm/W	0.06 m ³	5 kg
213563/1/... ²	AURIS LED black	18 W	20 W	95 mA	2700 K	2800 lm	1800 lm	90 lm/W	0.06 m ³	5 kg
213563/3/... ²	AURIS LED black	18 W	20 W	95 mA	3500 K	3000 lm	1950 lm	98 lm/W	0.06 m ³	5 kg
213563/4/... ²	AURIS LED black	18 W	20 W	95 mA	4000 K	3000 lm	1950 lm	98 lm/W	0.06 m ³	5 kg

1) tolerance +/- 7% due to LEDs accuracy

2) symbol of chosen optical system eg. 213563/3/A is AURIS LED 3500K with A optical system

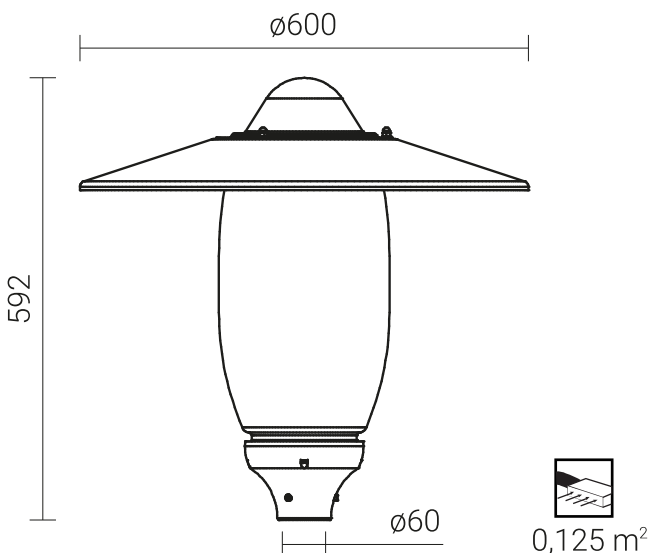
DIRECTIVES AND STANDARDS

DIRECTIVES: 2014/35/UE (Official Journal of the UE L 96/357 29.03.2014), 2014/30/UE (Official Journal of the UE L 96/79 29.03.2014), 2011/65/UE, 2009/125/EC

STANDARDS: PN-EN IEC 60598-1: 2021-7, PN-EN 60598-2-3: 2006, PN-EN 60529: 2003, PN-EN 62262: 2003, PN-EN 62471:2010, PN-EN 55015: 2019, PN-EN 61547: 2009, PN-EN 61000-3-2: 2019, PN-EN 61000-3-3: 2013

Lighting parameters presented based on laboratory tests according to IESNA LM-79-19

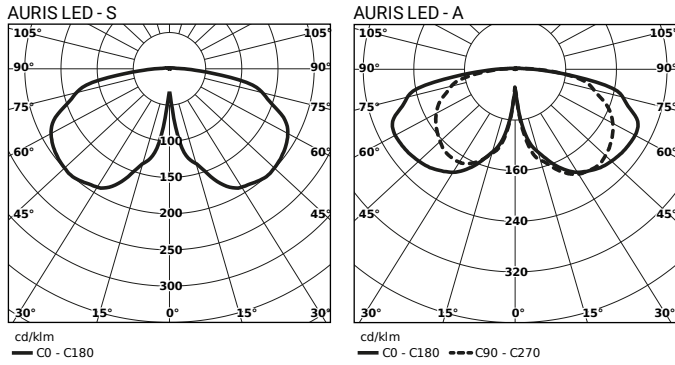
TECHNICAL DRAWING



Nordic EcoEnergy Svensk Återförsäljare
Nordic Eco Energy AB

Tel. 070-644 28 16 - info@nordicecoenergy.se - www.nordicecoenergy.se

PHOTOMETRIC CURVES



POWER SYSTEM FUNCTIONS

The luminaire doesn't have the function of an intelligent power supply system as standard

ACCECTABLE QUANTITY OF LUMINAIRES ON ONE CIRCUIT

Accetable quantity of luminaires AURIS LED on one circuit, protected by:

Overcurrent switches MCB type B or C

Luminaire	Typ	2A	4A	6A	10A	16A	20A	25A
AURIS LED	B	16	33	50	83	133	167	209
	C	16	33	50	83	133	167	209

Fuse – type gG and GL

Luminaire	2A	4A	6A	10A	16A	20A	25A
AURIS LED	16	33	50	83	133	167	209