

**CLOCK – Ø 80**

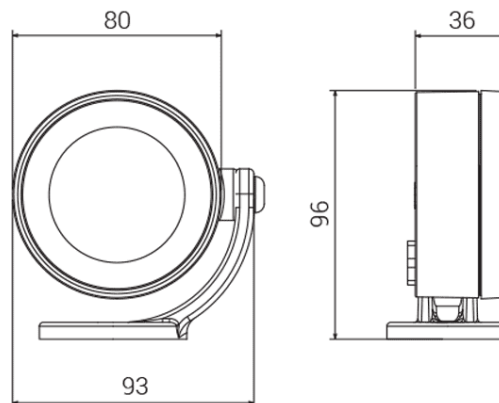
datasheet



CODE NO. **4661**

- AN AN = Anthracite
- AG AG = Aluminum Grey
- VE VE = Green

**27K (2700K) / 3K / 4K**

- Ø 80 mm
- 36 mm
- 96 mm



LAMP	LED
NOMINAL LUMEN	460
REAL LUMEN OUTPUT	290
WATTAGE	4W
VOLTAGE	220-240V 50/60Hz
IP	IP 67
IK	IK08 (6 joules)
CLASS	 Classe I
CERTIFICATION	
CONFORMITY	EN 60598-1 +2-1
LED ENERGY CLASS	F

Watertight spotlight, to be installed on the wall, on a stem or on an earth spike in the garden

Structure: body and arm made of primary aluminium alloy with low copper content

Adjustable light body with stable fastening in the chosen point

Ultrawhite transparent tempered glass, sealed to the frame

Wiring: the spotlight is hermetically sealed with a two-component resin and provided with a 1,5 m H05RN-F buriable cable. The cable can pass through a special hole in the base of the arm

Light source: mains voltage LED module, compatible with most phase-cut dimmers / CRI 80

Optics: 40° (standard code) / 12° (code + 12) / 90° (code + 90)

Double varnished finish after pickling, chromic passivation (trivalent chromium), epoxy primer and polyester powder coating

RGBW version: code 1186

ON REQUEST:

24V low voltage version, cable L 20 cm (code + 24V)

7 m cable length (code + MT7)

Finishing colours: BI - white / CO - corten / BR - bronze